

0CI00-M25300EN

# Contents

Fig. No. Fig. Name

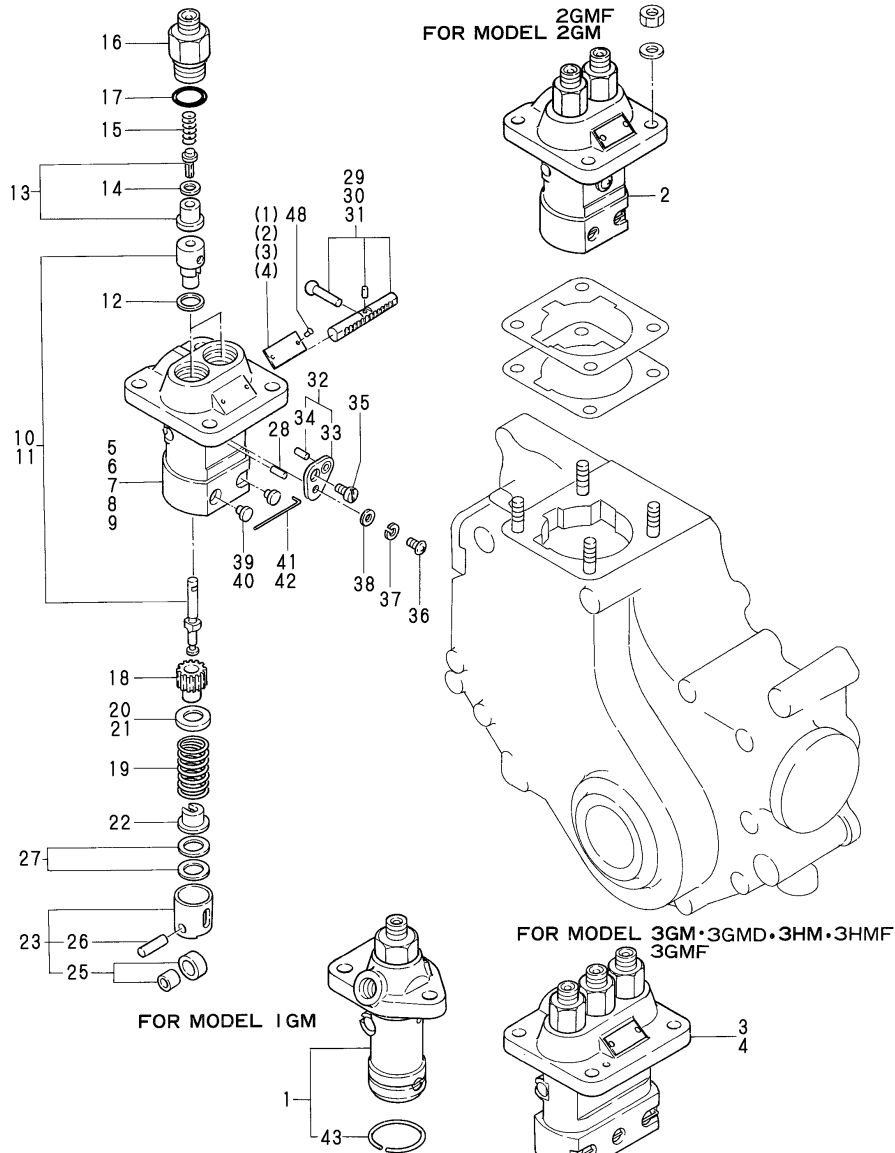
728170-51700,728170-51101

1. FUEL INJECTION PUMP

2. GOVERNOR DRIVING

Fig. No. Fig. Name

Fig.1. FUEL INJECTION PUMP



REFER.No.10-1, 11-1, 13-1, 13-2

1. When replacing the plunger (10-1, 11-1) or the valve (13-1, 13-2) replace all the quantities required per engine simultaneously with new ones.
2. New type pump assembly has been supplied since 1981, July.
3. Applicable engine numbers: 1GM 02350~, 2GM 02252~, 3GMD 01615~, 3HM 00991~, 3HMF 00023~)

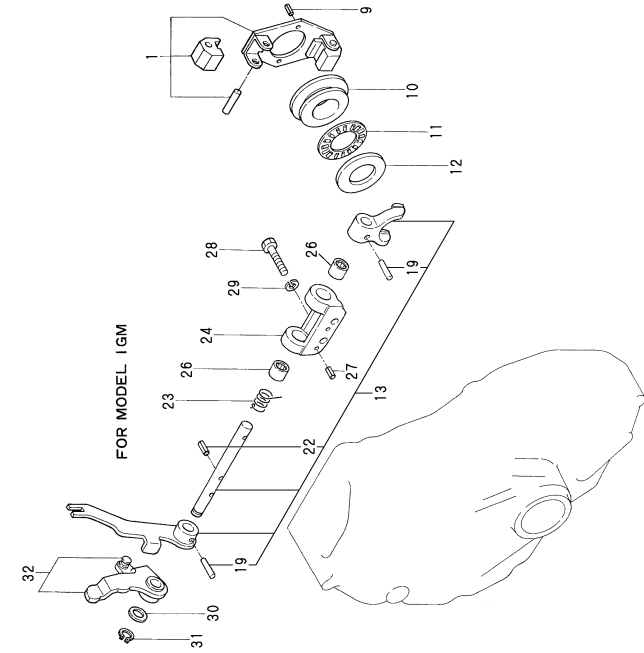
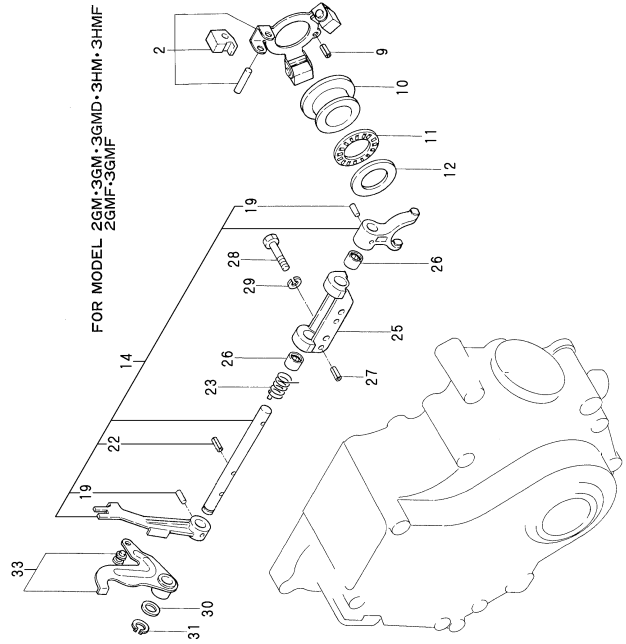
Remarks  
(A)(B)=1GM.

(A)=728170-51700  
(B)=728170-51101  
(C)=

(D)=  
(E)=  
(F)=

No.	Lev.	Parts No.	Description	Q'ty						I	R
				(A)	(B)	(C)	(D)	(E)	(F)		
1	1	728170-51700	PUMP ASSY, INJECTION	1	1						
1-1	1	728170-51101	PUMP ASSY, INJECTION	1	1						N
(A=E/#02350)											
5	2	128170-51010	BODY, FUEL PUMP	1	1						
10	2	128170-51100	PLUNGER ASSY	1	1						
10-1	2	128170-51101	PLUNGER ASSY	1	1						S
(A=E/#02350) (B=E/#02252) (C=*1981.07) (D=E/#01615)											
12	2	124950-51270	GASKET	1	1						
13	2	124060-51300	VALVE ASSY, DELIVERY	1	1						
13-1	2	128170-51300	VALVE ASSY, DELIVERY	1	1						S
(A=E/#02350) (B=E/#02252) (C=*1981.07) (D=E/#01615)											
14	2	124550-51350	GASKET, DELIVERY	1	1						
15	2	124550-51320	SPRING, DELIVERY	1	1						
16	2	124550-51341	HOLDER, DELIVERY L43	1	1						
17	2	124550-51370	O-RING	1	1						
18	2	124950-51510	PINION	1	1						
19	2	124950-51190	SPRING, PLUNGER	1	1						
20	2	124950-51170	RETAINER, SPRING A	1	1						
22	2	174307-51181	RETAINER, SPRING B	1	1						
23	2	724550-51520	GUIDE, PLUNGER	1	1						
25	3	711100-51540	ROLLER ASSY	1	1						
26	3	174100-54120	PIN	1	1						
27	2	174307-51700	SHIM SET	1	1						
28	2	103854-51251	PIN, PLUNGER	1	1						
29	2	128170-51500	RACK ASSY, CONTROL	1	1						
39	2	104271-51450	PIECE, GUIDE	1	1						
43	2	104271-51460	CIRCLIP	1	1						
48	2	124220-51890	RIVET	2	2						

Fig.2. GOVERNOR DRIVING



(A)=1GM  
(B)=2GM(F)  
(C)=3GM(F)  
(D)=3GMD  
(E)=3HM  
(F)=3HMF

No.	Lev.	Parts No.	Description	Q'ty						I	R
				(A)	(B)	(C)	(D)	(E)	(F)		
1	1	128170-61100	WEIGHT ASSY,GOVERNOR	1							
2	1	721575-61520	SUPPORT ASSY, WEIGHT		1	1	1	1	1	1	
9	1	22351-040008	PIN, SPRING 4.0X 8	2	1	1	1	1	1	1	
10	1	121000-61600	SLEEVE, GOVERNOR	1	1	1	1	1	1	1	
11	1	121575-61710	BEARING, FNTA-2542	1	1	1	1	1	1	1	
12	1	121575-61720	COLLAR	1	1	1	1	1	1	1	
13	1	728170-61560	LEVER ASSY, GOVERNOR	1							
14	1	721500-61560	LEVER ASSY, GOVERNOR		1	1	1	1	1	1	
19	2	22322-030200	PIN, TAPER 3X20	2	2	2	2	2	2	2	
22	2	22351-030012	PIN, SPRING 3.0X12	1	1	1	1	1	1	1	
23	1	121575-66310	SPRING, STARTING	1	1	1	1	1	1	1	
24	1	128170-61620	SUPPORT	1							
25	1	121575-61620	SUPPORT		1	1	1	1	1	1	
26	1	122410-61650	BEARING, FJ-1010W	2	2	2	2	2	2	2	
27	1	22351-040008	PIN, SPRING 4.0X 8	2	2	2	2	2	2	2	
28	1	26116-060302	BOLT, M6X 30 PLATED	2	2	2	2	2	2	2	
29	1	22217-060000	WASHER, SPRING 6	2	2	2	2	2	2	2	
30	1	104211-42130	PIECE, DISTANCE	1	1	1	1	1	1	1	
31	1	22242-000100	RING, 10	1	1	1	1	1	1	1	
32	1	128170-61160	LEVER ASSY, CONTROL	1							
33	1	121575-61160	LEVER ASSY, CONTROL		1	1	1	1	1	1	

# Parts No. Index

Parts No.	Fig. No.	Ref. No.
103854-51251	1	28
104211-42130	2	30
104271-51450	1	39
104271-51460	1	43
121000-61600	2	10
121575-61160	2	33
121575-61620	2	25
121575-61710	2	11
121575-61720	2	12
121575-66310	2	23
122410-61650	2	26
124060-51300	1	13
124220-51890	1	48
124550-51320	1	15
124550-51341	1	16
124550-51350	1	14
124550-51370	1	17
124950-51170	1	20
124950-51190	1	19
124950-51270	1	12
124950-51510	1	18
128170-51010	1	5
128170-51100	1	10
128170-51101	1	10 -1
128170-51300	1	13 -1
128170-51500	1	29
128170-61100	2	1
128170-61160	2	32
128170-61620	2	24
174100-54120	1	26
174307-51181	1	22
174307-51700	1	27
22217-060000	2	29
22242-000100	2	31
22322-030200	2	19
22351-030012	2	22
22351-040008	2	9
		27
26116-060302	2	28
711100-51540	1	25
721500-61560	2	14
721575-61520	2	2
724550-51520	1	23
728170-51101	1	1 -1
728170-51700	1	1
728170-61560	2	13

Parts No.	Fig. No.	Ref. No.
-----------	----------	----------

Parts No.	Fig. No.	Ref. No.
-----------	----------	----------

Parts No.	Fig. No.	Ref. No.
-----------	----------	----------